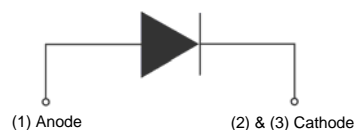
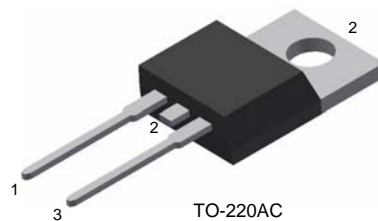


20A SCHOTTKY BARRIER DIODE

High Current Schottky Rectifier

Specification Features:

- High Switching Speed Device
- High Current, Low Forward Voltage Drop
- Low Power Loss and High Efficiency
- Guard Ring for Over-voltage Protection
- High Surge Capability
- RoHS Compliant
- Matte Tin(Sn) Lead Finish
- Terminal Leads Surface is Corrosion Resistant and can withstand to 260°C Wave Soldering or per MIL-STD-750, Method 2026.



POLARITY CONFIGURATION

DEVICE MARKING DESIGNATION:

Line 1 = Device Name
 Line 2 = Datecode
 Line 3 = Polarity

MAXIMUM RATINGS

| Symbol | Parameter | Value | Units |
|---------------------------------|--|-------------|-------|
| V_{RRM} V_{RWM} V_R | Maximum Repetitive Reverse Voltage Working Peak Reverse Voltage Maximum DC Reverse Voltage | 60 | V |
| $I_{F(AV)}$ | Average Rectified Forward Current | 20 | A |
| I_{FSM} | Peak Forward Surge Current, 8.3mS Single Phase @ Rated Load | ? | A |
| T_{STG} | Storage Temperature Range | -65 to +175 | °C |
| T_J | Operating Junction Temperature | +175 | °C |

These ratings are limiting values above which the serviceability of the diode may be impaired.

THERMAL CHARACTERISTIC

| Symbol | Parameter | Value | Units |
|-----------------|---|-------|-------|
| $R_{\theta JC}$ | Maximum Thermal Resistance, Junction-to-Case | 2 | °C/W |

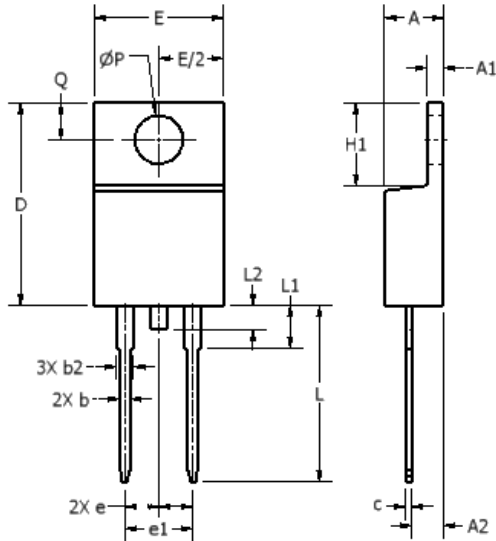
ELECTRICAL CHARACTERISTICS $T_A = 25^\circ\text{C}$ unless otherwise noted

| Symbol | Parameter | Test Condition (Note 1) | Limits | | Units |
|--------|-----------------|----------------------------|--------|-------|---------------|
| | | | Min | Max | |
| I_R | Reverse Current | @ rated V_R | --- | 1mA | μA |
| V_F | Forward Voltage | 20A | --- | 0.750 | V |

Note/s:

1. Tested under pulse condition of 300 μS .

TO220 PACKAGE OUTLINE




| DIM | INCHES | | MILLIMETERS | |
|-----|--------|-------|-------------|-------|
| | MIN | MAX | MIN | MAX |
| A | 0.140 | 0.190 | 3.56 | 4.83 |
| A1 | 0.020 | 0.055 | 0.51 | 1.40 |
| A2 | 0.080 | 0.115 | 2.03 | 2.92 |
| b | 0.015 | 0.040 | 0.38 | 1.02 |
| b2 | 0.045 | 0.070 | 1.14 | 1.78 |
| c | 0.014 | 0.024 | 0.36 | 0.61 |
| D | 0.560 | 0.650 | 14.22 | 16.51 |
| e | 0.096 | 0.104 | 2.44 | 2.64 |
| e1 | 0.196 | 0.204 | 4.98 | 5.18 |
| E | 0.380 | 0.420 | 9.65 | 10.67 |
| H1 | 0.230 | 0.270 | 5.84 | 6.86 |
| L | 0.500 | 0.580 | 12.70 | 14.73 |
| L1 | --- | 0.250 | --- | 6.35 |
| L2 | --- | 0.070 | --- | 1.79 |
| ØP | 0.139 | 0.161 | 3.53 | 4.09 |
| Q | 0.100 | 0.135 | 2.54 | 3.43 |

NOTE: Above package outline conforms to JEDEC TO-220AC.

This datasheet presents technical data of Tak Cheong's Schottky Diodes. Complete specifications for the individual devices are provided in the form of datasheets. A comprehensive Selector Guide is included to simplify the task of choosing the best set of components required for a specific application. For additional information, please visit our website <http://www.takcheong.com>.

Although information in this datasheet has been carefully checked, no responsibility for the inaccuracies can be assumed by Tak Cheong. Please consult your nearest Tak Cheong's sales office for further assistance.

Tak Cheong reserves the right to make changes without further notice to any products herein to further improve reliability, function or design, cost and productivity.

TAK CHEONG® and  are registered trademarks of Tak Cheong Electronics (Holdings) Co., Ltd.